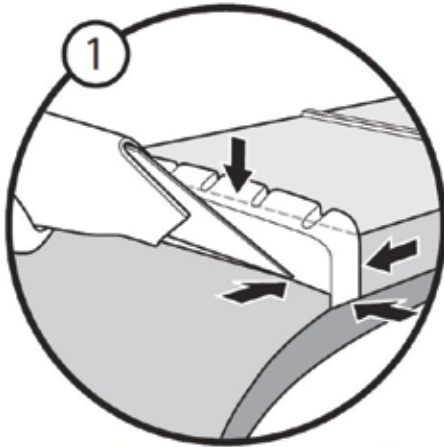
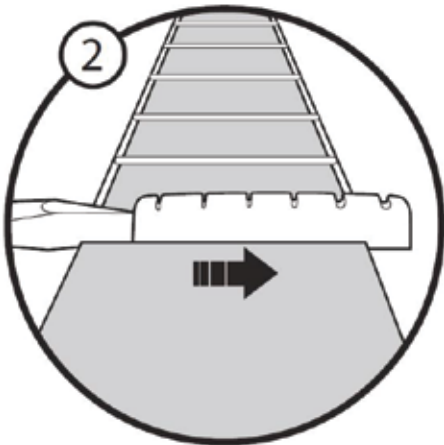


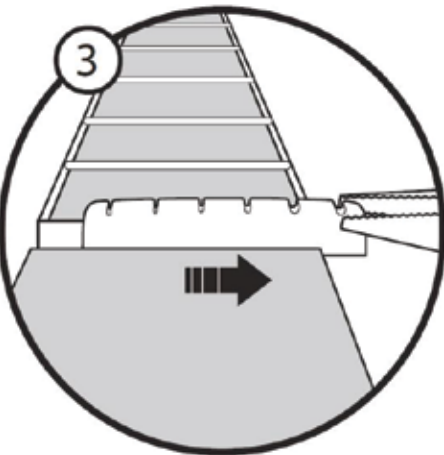
Installing a Slotted Nut



1. Remove the strings. Trace around (score) every edge of the nut with an exacto knife to prevent the lacquer from sticking to the nut before you remove it.

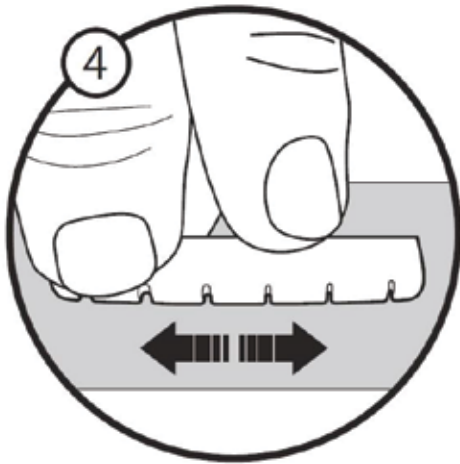


2. If the nut is not sitting in a slot, and just butted up against the neck, usually a light tap with a small block will set it free. If it is sitting in a slot, gently tap it out sideways using a hammer and a screwdriver. If you pull it out upwards, you risk taking some of the wood with it.

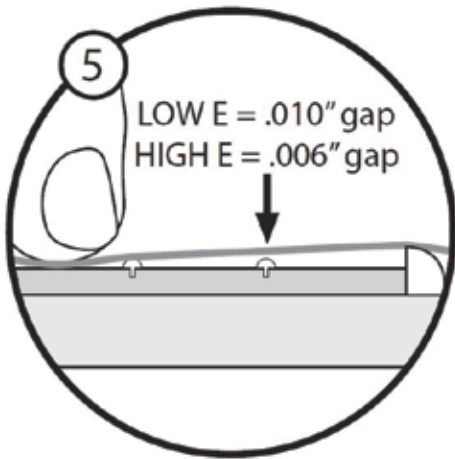


3. When it is sticking out the side, pull it out in the same direction with a pair of pliers, like you'd pull out a tooth. Scrape or file the nut slot free from old glue and finish residue while making sure that the slot remains square.

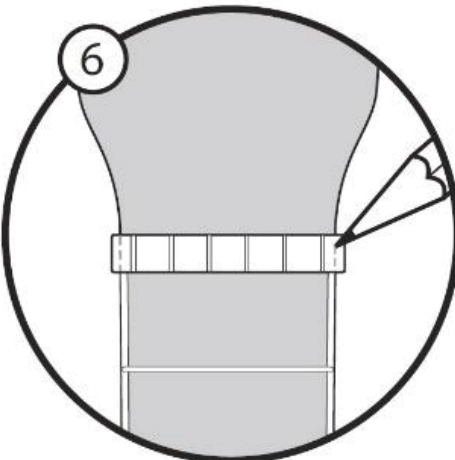




4. See if your new Graph Tech nut fits into the slot without force. If it's too thick, place a 400 to 600 grit sand paper face up on a flat surface and sand down the side of the nut until it fits in the slot snugly, but is easily removable.



5. Restring the high and low E strings and tune to pitch to check for the correct height. For Electric Guitars, Push down on the third note of the low E string you are looking for a .010" gap between the low E string and the first fret and a gap of .006" on the high E string.



6. Once you've got the thickness and height correct, you just need to sand the ends of the nut so that they are flush with the neck. Graph Tech adds a little "meat" on the ends of their nuts, so you will always end up with a nice, flush finish. Just use a pencil and mark the ends of the nut that are sticking out, remove it from the neck and sand it to your marks.

Ok, we are about ready to go, the nut is finished and ready for final installation. Just put a drop of white glue in the slot. You don't want to use a glue that is too strong, such as epoxy or cyanoacrylate (crazy glue)... if the nut ever has to be replaced again, it will be taking some of the neck with it.

