



Installing an Acoustic Saddle

1. Remove the strings and bridge pins. The saddle should lift out easily. If you find it is glued in, get a competent guitar tech to complete the replacement.

Do NOT pry it out as you may take some wood from your bridge with it. Once removed, clean the slot of any debris.

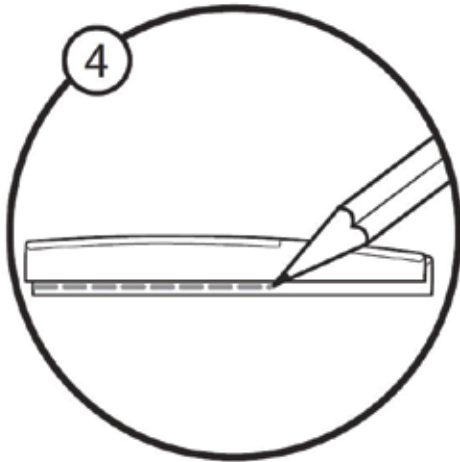


2. Check if the Graph Tech saddle fits into the slot, without forcing it. If it's too thick, place a 240 to 400 grit sand paper on a flat surface and sand the sides of the saddle until it fits in the slot snugly but is easily removable. You may have to reduce the length also.



3. The saddle should slip in easily, but still be snug enough that you can turn the guitar upside down without the saddle falling out.

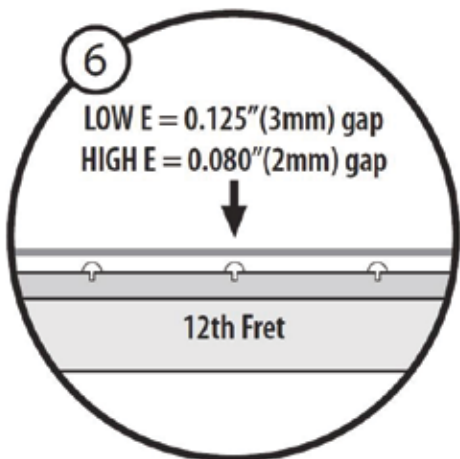




4. Adjust the string height. Put your old saddle against the Graph Tech saddle and align the tops. Using a pencil, mark a line along the bottom of your new saddle.



5. Sand the bottom of the saddle up to the line, keeping the bottom flat and square to the sides. Work in small increments and check your work frequently so you don't remove too much material.



6. Determine correct string height, by measuring the gap between the top of the twelfth fret and the bottom of the low E string. It should be around 0.125" (3mm), or about a stack of 12 business cards if you don't have a ruler. For the high E string, the gap should be around 0.080" (2mm), or about a stack of 8 business cards.

